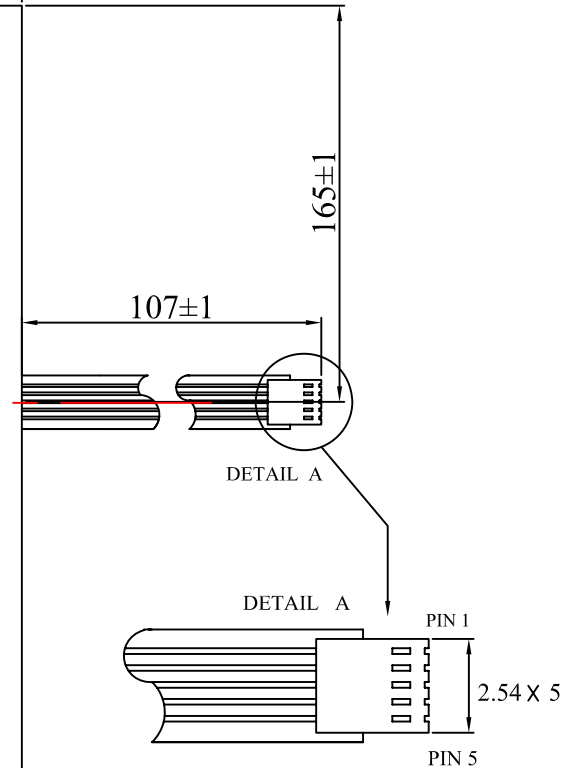
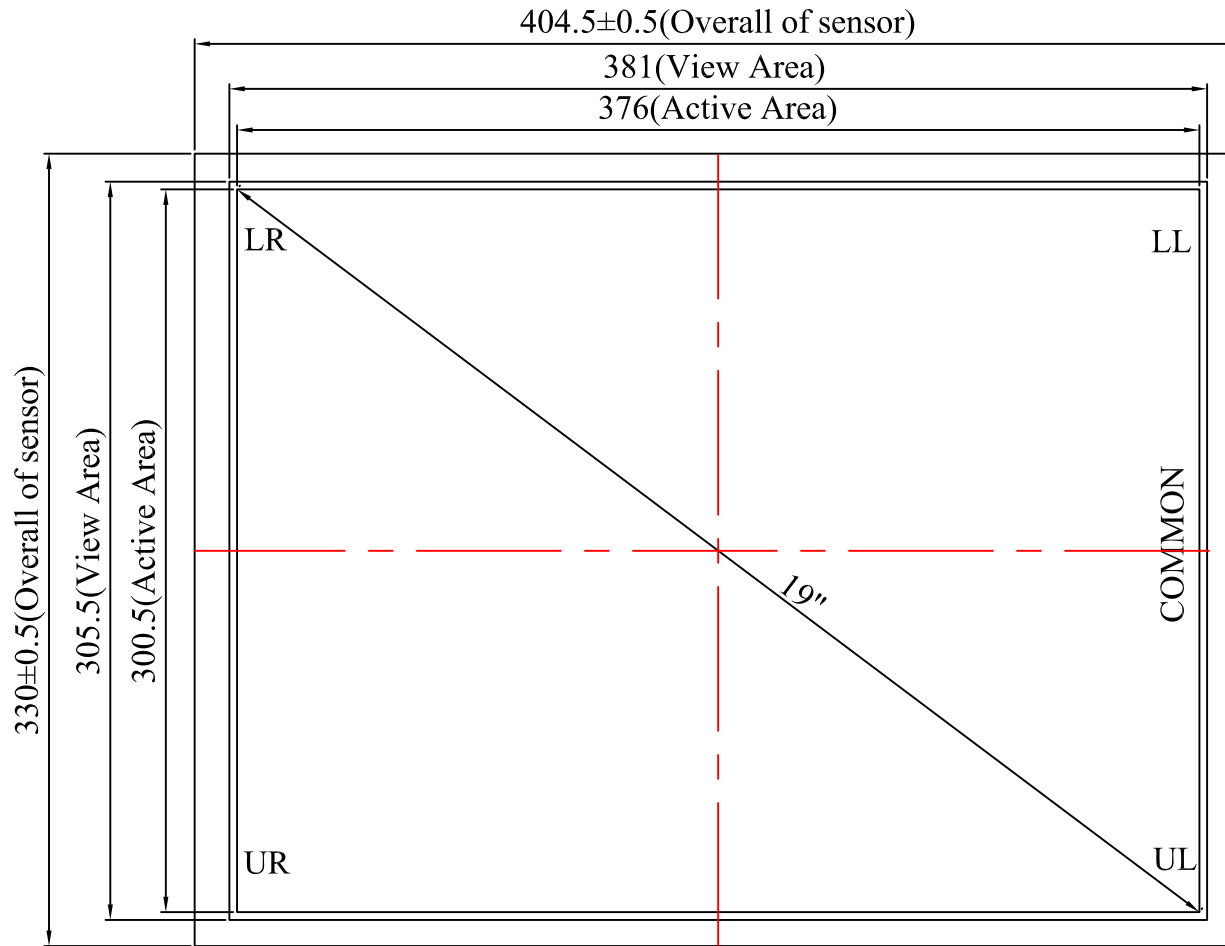


北京触点时代科技有限公司
 Onetouch China Technology Co., Ltd
 5W1900AT-G18

NOTE:
 1. ALL DIMENSIONS ARE IN MILLIMETERS.
 2. CABLE IS ATTACHED TO THE RIGHT SIDE OF TOUCH PANEL AT CENTER POINT AS SHOWN.



P/N	FILM TYPE	GLASS THICKNESS	FINISHED PART THICKNESS
5W1900AT-G18	CLEAR	1.8	2.3±0.15
5W1900AT-N18	ANTI-GLARE		

CONNECTOR PINOUT	
PIN NO.	ASSIGNMENT
1	LR
2	LL
3	COMMON
4	UL
5	UR



5W1900AT-G18
 DATE:2007/3/13
 REV. A0