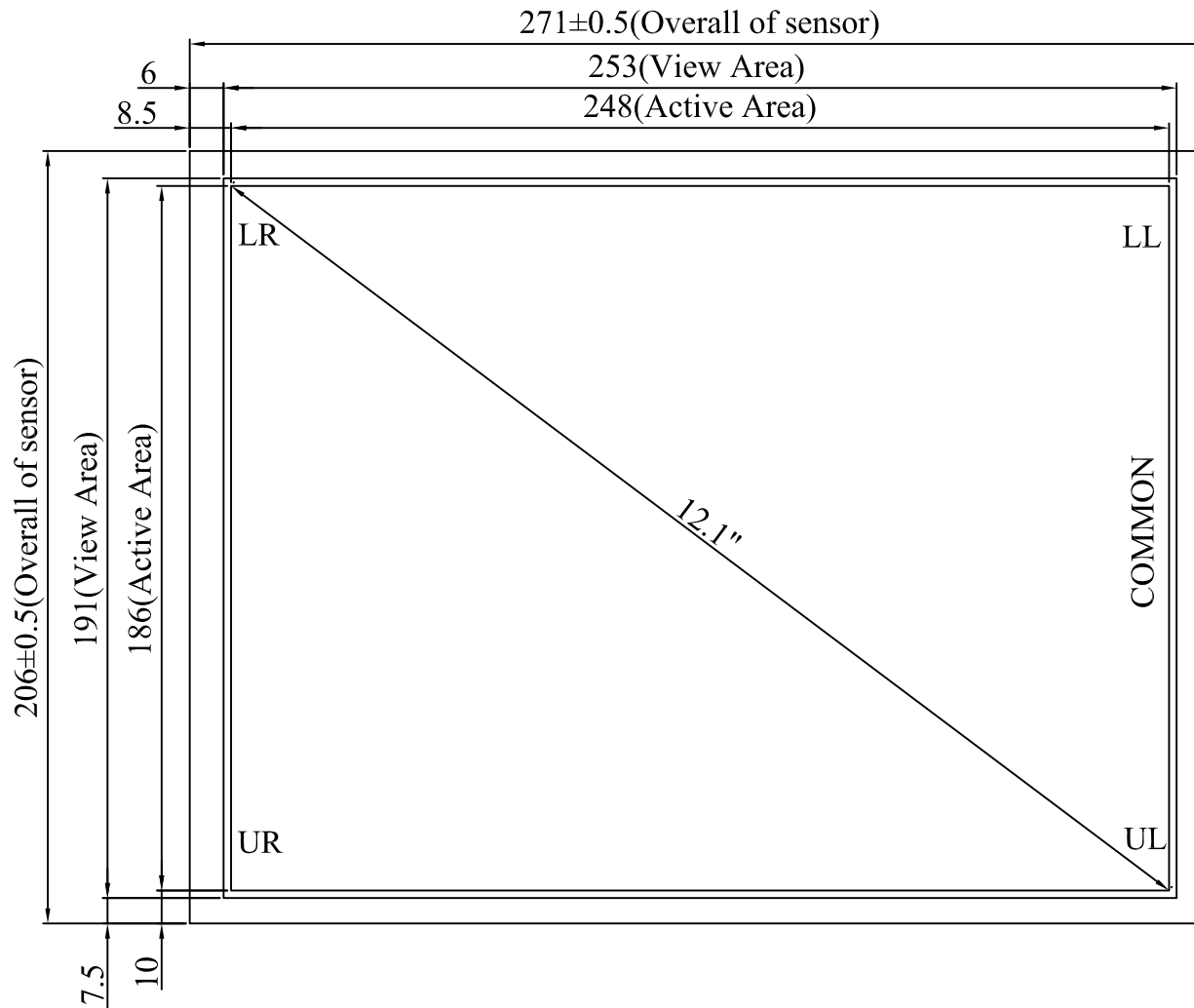
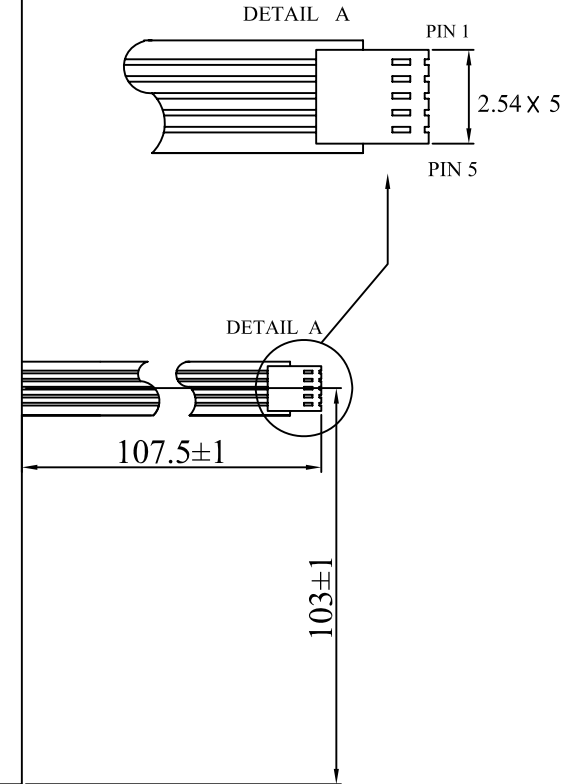


北京触点时代科技有限公司  
Onetouch China Technology Co., Ltd  
5W1210AT-G18



NOTE:

1. ALL DIMENSIONS ARE IN MILLIMETERS.
2. CABLE IS ATTACHED TO THE RIGHT SIDE OF TOUCH PANEL AT CENTER POINT AS SHOWN.



P/N	FILM TYPE	GLASS THICKNESS	FINISHED PART THICKNESS
5W1210AT-G18	CLEAR	1.8	2.3±0.15
5W1210AT-N18	ANTI-GLARE		

CONNECTOR PINOUT	
PIN NO.	ASSIGNMENT
1	LR
2	LL
3	COMMON
4	UL
5	UR

触点  
**Onetouch**<sup>®</sup>

5W1210AT-G18  
DATE:2007/3/13  
REV. A0