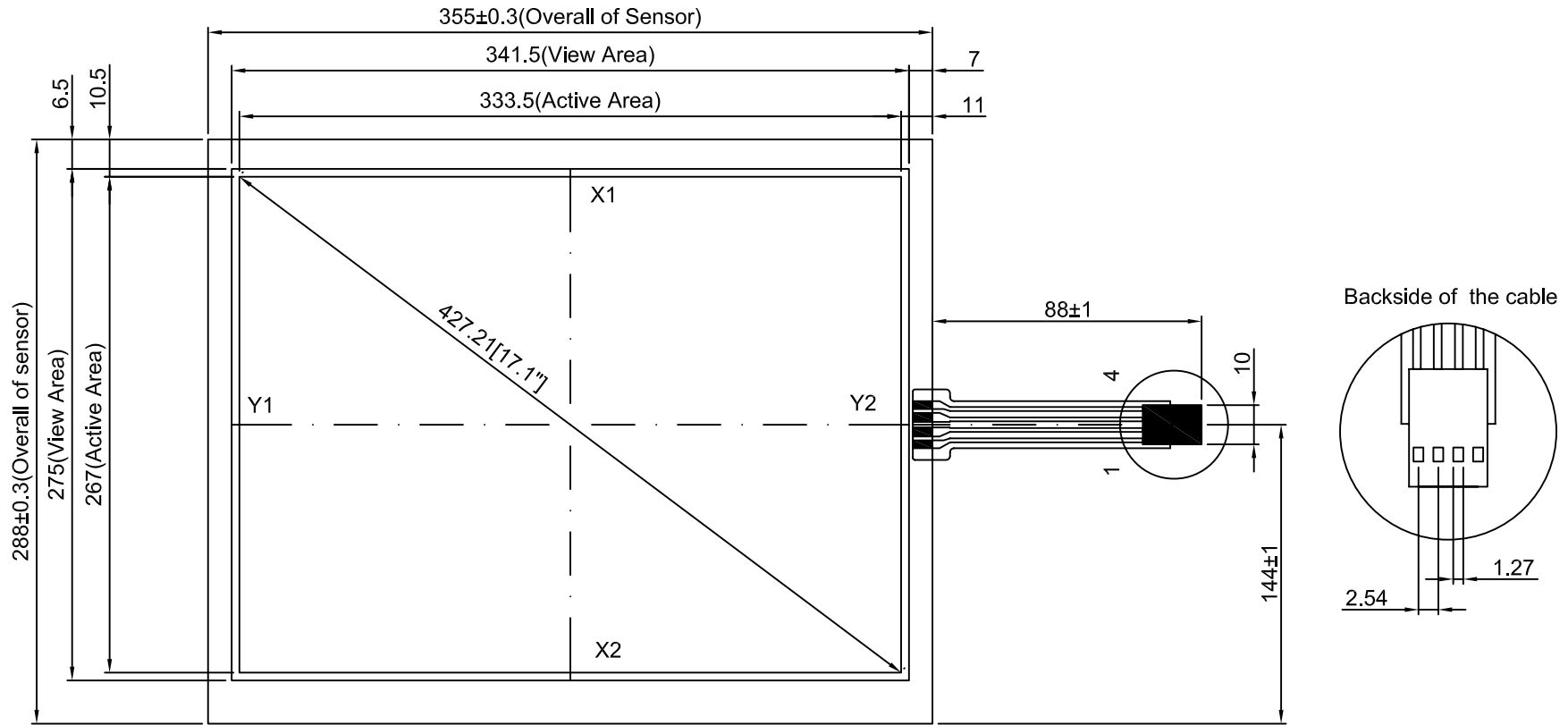


北京触点时代科技有限公司  
Onetouch China Technology Co., Ltd

4W1711AT-G18



NOTE:

1. CABLE IS ATTACHED TO THE BOTTOM SIDE OF TOUCH PANEL AT THE POSITION SHOWN.

2. TAIL CONNECTOR: PITCH 2.54mm

P/N	COVERSHEET TYPE	GLASS THICKNESS	FINISHED PART THICKNESS
4W1711AT-G18	CLEAR	1.8	2.3 ± 0.2
4W1711AT-N18	ANTI-GLARE		

CONNECTOR PINOUT	
PIN NO	ASSIGNMENT
1	Y1
2	X2
3	Y2
4	X1

触点  
**Onetouch**<sup>®</sup>

4W1711AT-G18

DATE:2007/3/19

REV. A0